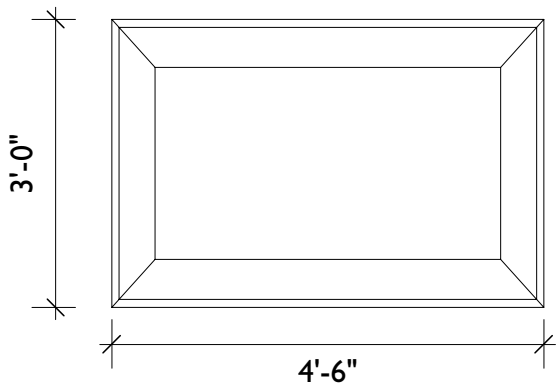


1

Top View

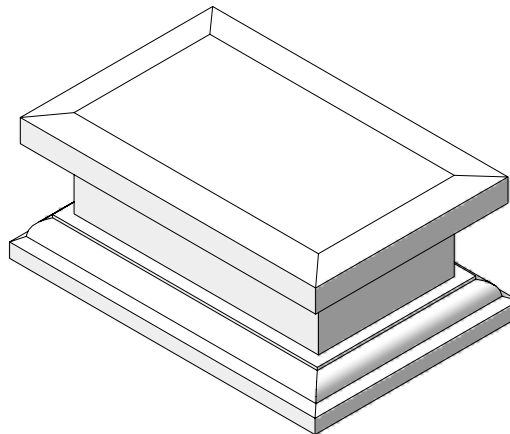
Scale: 1/2" = 1'-0"



3

Right Isometric

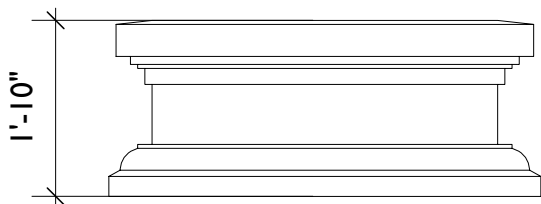
Scale: 1/2" = 1'-0"



2

Front View

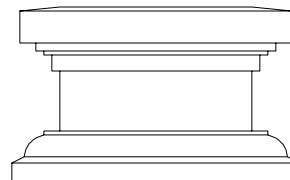
Scale: 1/2" = 1'-0"



4

Right View

Scale: 1/2" = 1'-0"



WELCOME TO THEBES	
THYMELE (ALTAR)	
UNITED PLAYERS 2014/2015 SEASON	
DIRECTOR: BRIAN PARKINSON	
SET DESIGNER: CHENGYAN BOON	
SCALE: 1/2" : 1' - 0"	DRAWING NO: 5
DATE: 24/02/2015	DRAFT NO: 3